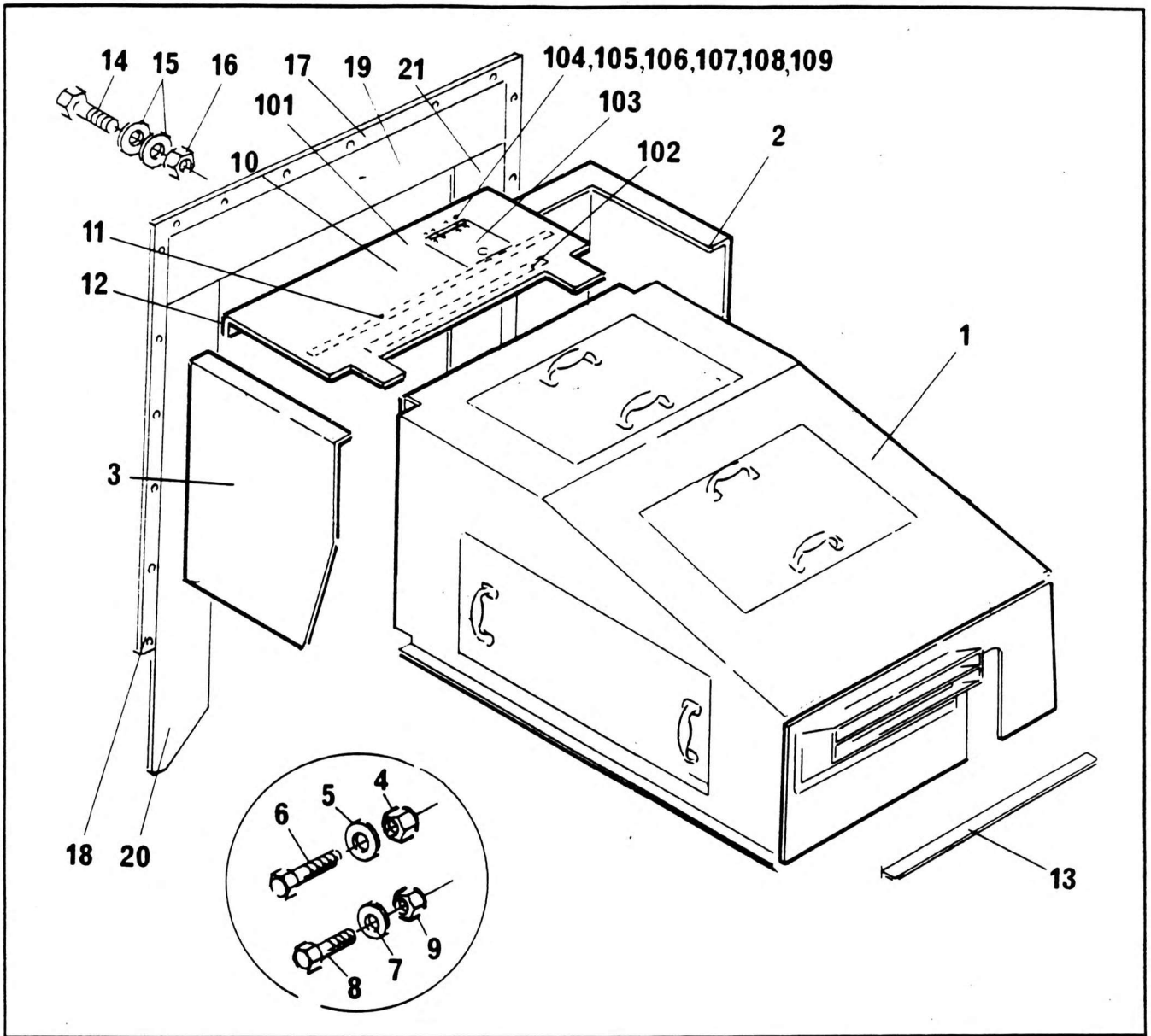


ENGINE COWL INSTALL - CUMMINS



NO.	PART NO.	QTY.	DESCRIPTION	NO.	PART NO.	QTY.	DESCRIPTION
1 +	6-535-990149	1	Engine Cowl Assy	17	6-705-996866	1	Plate
2	6-679-991398	1	Panel Side RH	18	6-705-996867	2	Plate
3	6-679-991399	1	Panel Side LH	19	6-814-990362	1	Baffle
4	7-661-170003	3	Nut M8	20	6-814-990363	1	Baffle
5	7-951-170014	3	Washer Plain M6	21	6-814-990364	1	Baffle
6	7-126-171550	3	Bolt M8 x 40 Long	101	6-679-991401	1	Panel Front
7	7-951-150014	25	Washer Plain M6	102	6-030-991117	1	Angle
8	7-126-151250	25	Bolt M6 x 25 Long	103	4-258-995009	2	Cover
9	7-661-150003	25	Nut M6	104	6-519-995000	2	Hinge
10	6-679-991400	1	Panel Engine Cowl Front Incl. Items 101-109	105	4-705-996250	2	Spacer
11	6-030-991118	1	Angle	106	7-834-000059	2	Spring
12	6-030-991103	1	Angle	107	7-101-100410	8	Screw
13	6-030-991104	1	Angle	108	7-950-100000	8	Washer Spring
14	7-126-131153	17	Screw M5 x 20 Long	109	7-660-100032	8	Nut 3/16" UNF
15	7-951-130014	34	Washer M5				+ See further breakdown in this group
16	7-661-130003	17	Nut N5				6-535-990148 Issue No. 00